

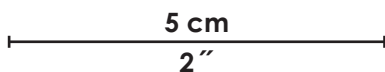


Ice
watch

WHAT WATCH SIZE DO I NEED?

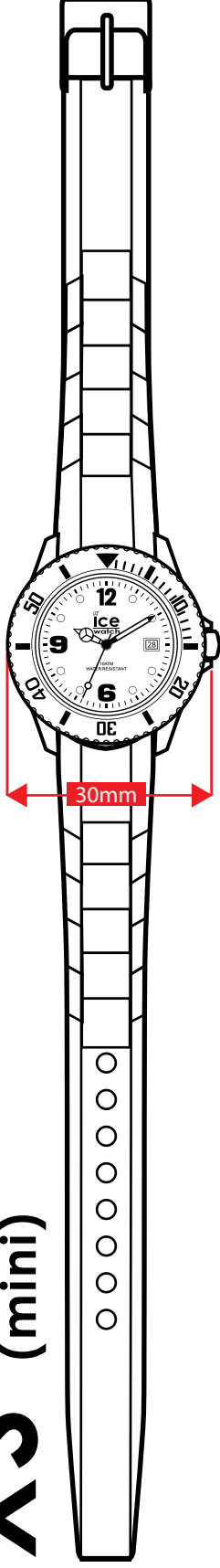
1 Print the page actual size.

2 Make sure that this line measures 5cm (2'') on your printed sheet. If it doesn't, then the watch outlines won't be the correct length either.

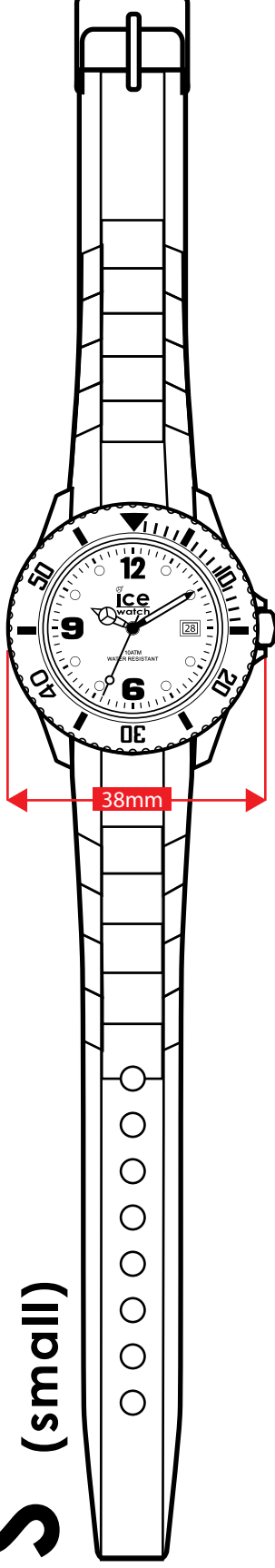


3 Cut out your favourite watch outlines and wrap them around your wrist in turn to see which one is the best fit.

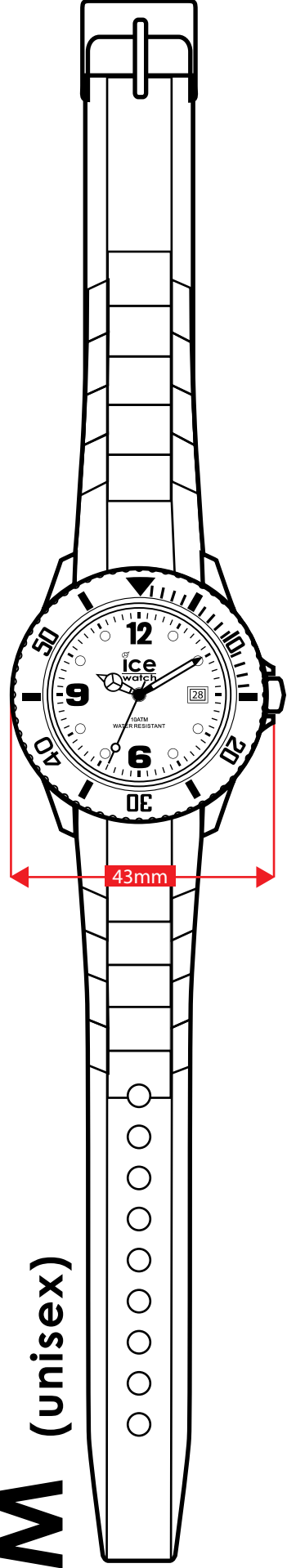
XS
(mini)



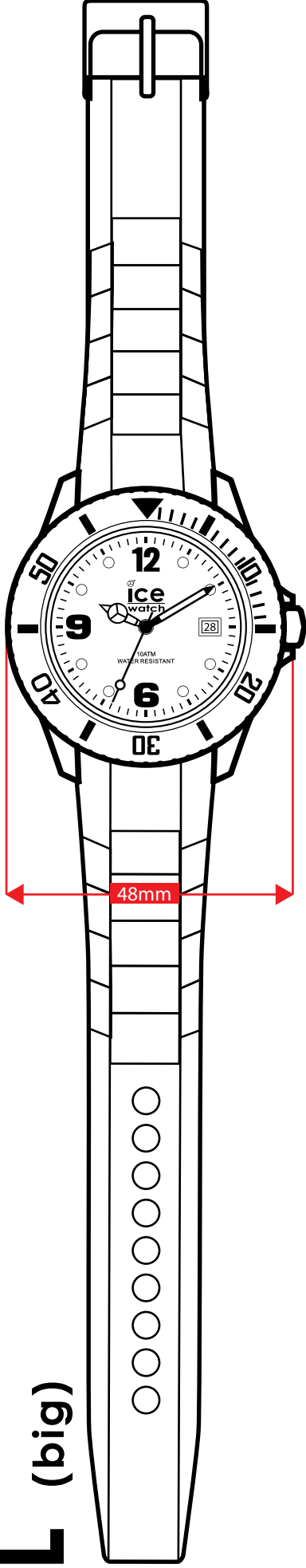
S
(small)



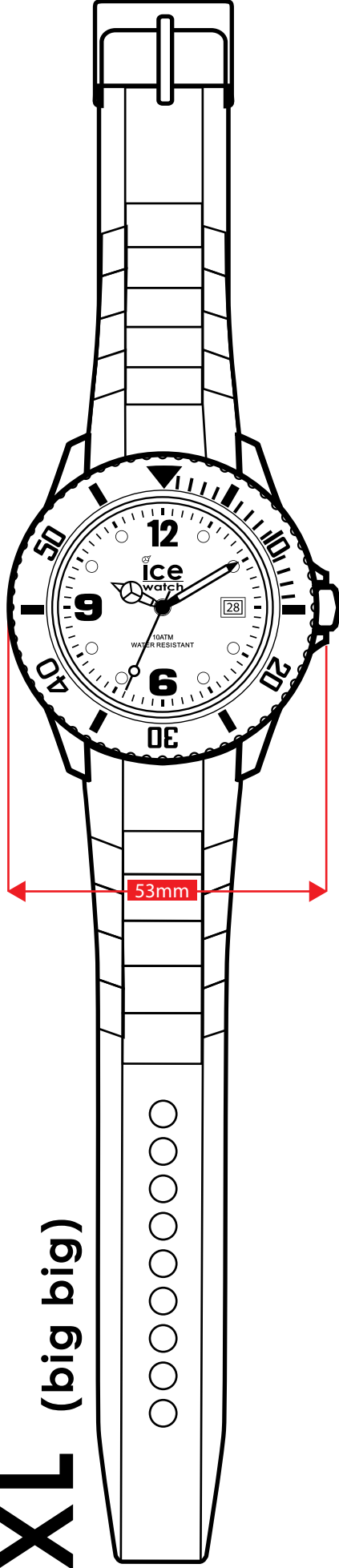
M
(unisex)



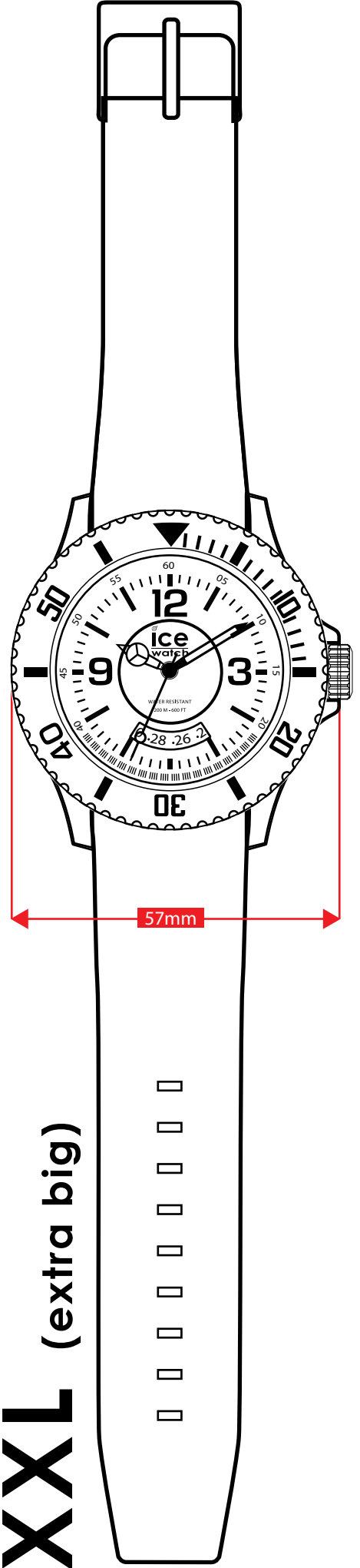
L
(big)



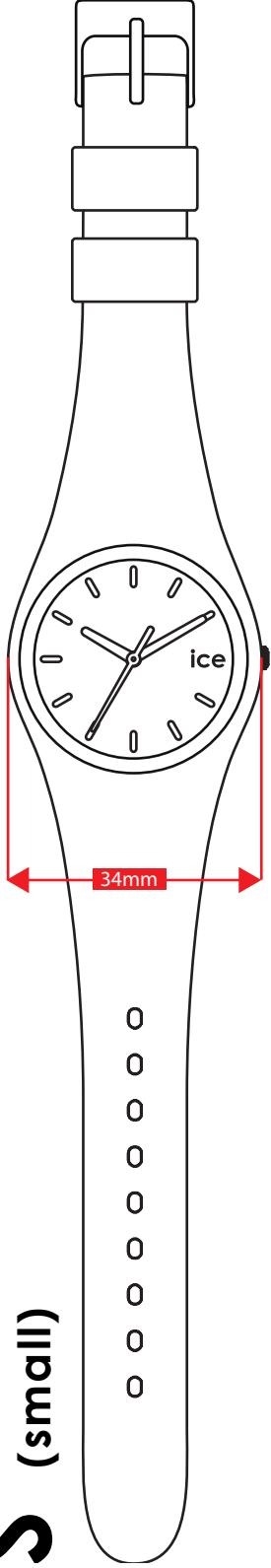
XL
(big big)



XXL
(extra big)



S
(small)



M
(unisex)

